

Design your own utopia & make a zine about it !

What's utopia ?

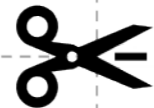
A **utopia** is an ideal place, where *everything* is perfect.
A utopian society is one **designed to be perfect**.

We want you to imagine what your **ideal world** – your utopia – would be like.

Think about:

- How its society is **organised**
- What its **towns** look like (Are there even towns?)
- What its **transport** is like
- What it will be like **where you live**
- In what ways it's **better for everyone...**

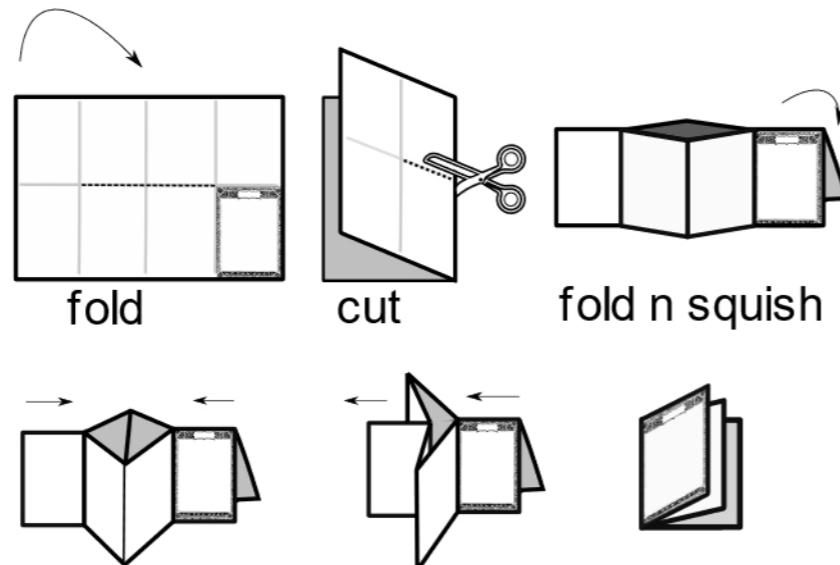
And whilst we can't make *everything* perfect, thinking about what the ideal world might be can help us think about how we can make our **real world** better.



And how do I make this zine ?

Fold and cut this sheet of paper as shown right, then complete the activities on the pages to **make your zine**.

You can also use these instructions to create your own zines from blank paper, either to expand on your utopia, or to make new zines about **anything you want !**



Great... now what's a zine ?

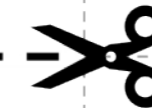
The word 'zine' comes from **magazine**.

It is usually produced in a small pamphlet format. It can be text-based, picture-based, or a mixture of both, and can be about **anything !**

Zines can be designed online or written and drawn by hand, illustrated with new drawings and photos, or with collages made from other pictures.

To start you off in **creating your utopia**, on the back of this sheet we've designed a zine containing eight activities you can complete...

...Well, nine if you include making the zine in the first place !



Make a zine online

Our **website** has links to inspiring resources and free tools you could use. You can also upload your zine to our digital gallery.



sites.google.com/york.ac.uk/lets-rebuild-utopia



Look around for **anything with words on it**. Pick out words that you like and write them on a piece of paper. Then put your found words together on this page to create a **'found' poem** that describes feeling happy:

5. What is 'happy'?

6. Imagining your happy place

Think about the things that **make you happy**.
What are your favourite colours, animals, foods, and things? They don't need to be real. You can use your imagination to create new creatures, foods, or whatever you like!

Make a collage to capture all your real and imagined happy things by cutting out pictures from elsewhere (magazines, packaging, junk-mail etc.) and gluing them onto some paper. You can draw or paint into your collage if you want, and add any other items from your creativity pack.



4. Create a new language

Your utopia needs a **language**, so make up some new words or create a new way of writing.

Can you make words for any ideas that don't have words already? What words would you utopia need that we don't have?

Can you get someone else to understand your new language?

Your language needn't be words or writing. It could be gestures, noises, or pictures. How would it be used in your utopia?

7. How can you make the world better for everyone?

For your utopia to be a proper utopia, it needs to be a place that is good not only for you but also for everyone else. **How do you make things better for all?**

Think about the world now. Who might not be happy, and why? Can you think of a change or an invention that could help them?

What would you do to make things better in your utopia, and for who? How would you test your idea or invention?



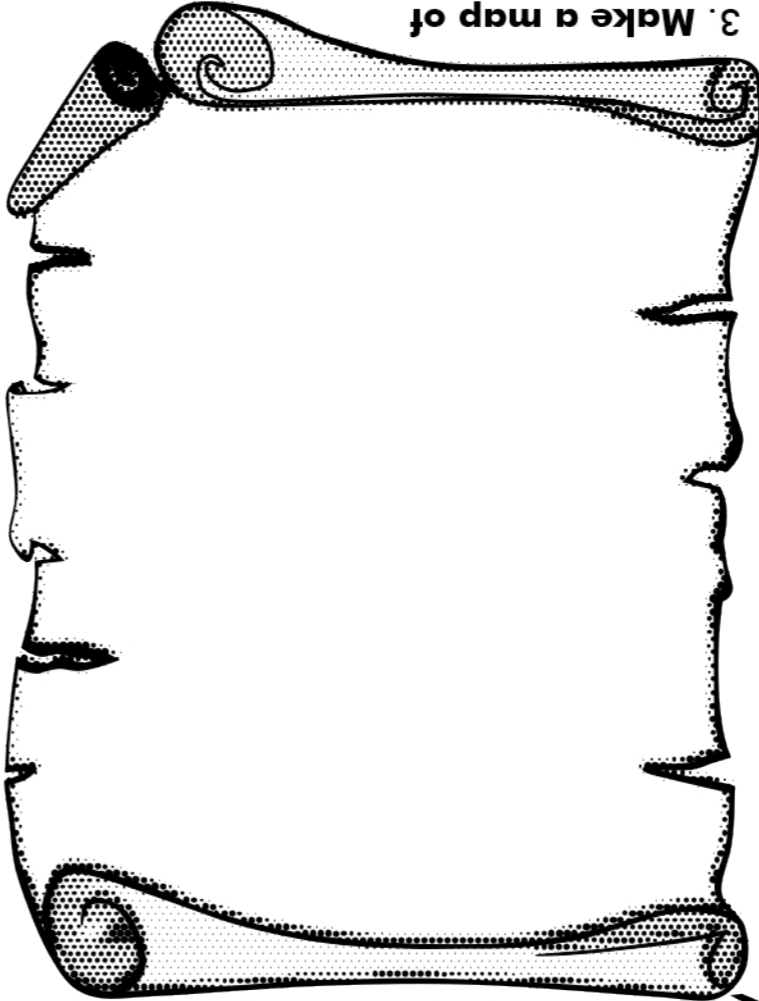
8. The flag of

Your utopia needs a name. Write it in the space above. Why not **give it a flag** too? How can you use a flag to tell people about the values of your utopia?

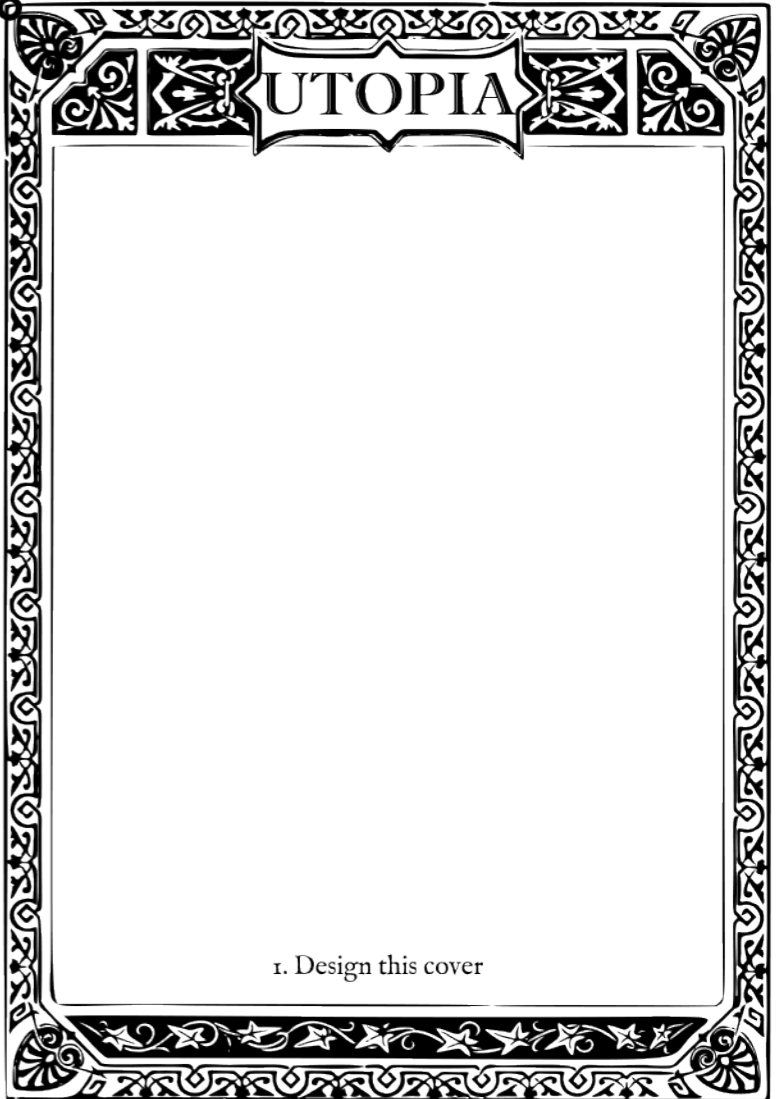
Do particular colours or shapes represent important parts of your new world?



bit.ly/utopia-york



3. Make a map of your fantasy world and mark on all the important places that make it a utopia...



1. Design this cover



Inspiration doesn't always come knocking. You might have to hunt it down. **Go for a walk** and see if you can find something interesting – something you've never noticed before. Be sure to pay attention to **EVERYTHING!**

When you find something, take a picture or write a note or make a doodle below to be sure you don't forget!

